



FERMOD[®]

INNOVATION since 1934

Notice de Montage - *Mounting Instructions*

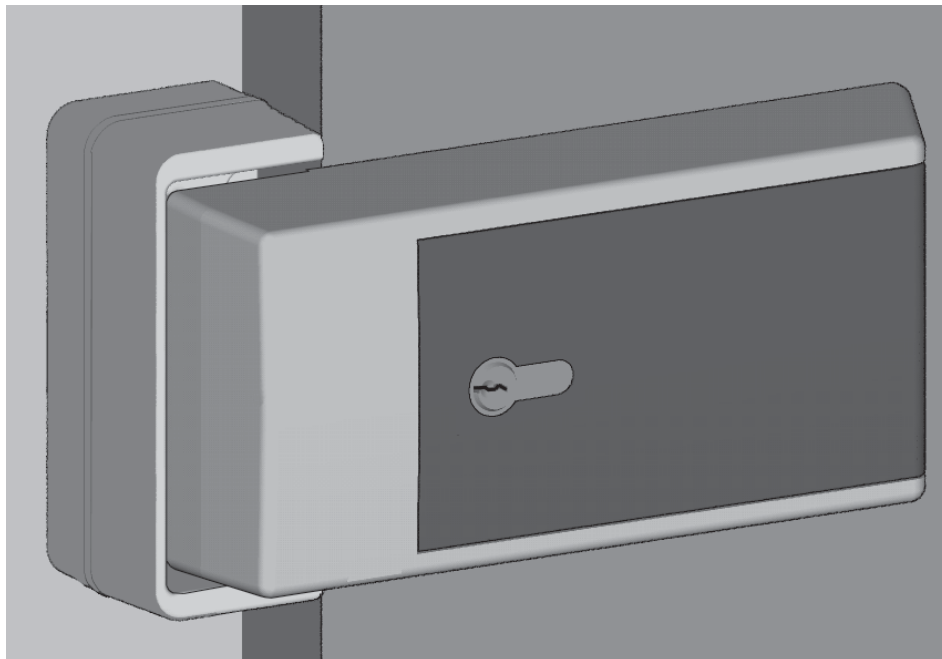
NM920GB-R

04/2024

FASTENER 920 - 921 - 920HP - 921HP ALUMINIUM STRIKE



0497
EN 179



0843
BS EN 179:2008

Summary

1 - Characteristics.....	p 2
2 - Transport	p 3
3 - Storage.....	p 3
4 - Mounting.....	p 3
5 - Maintenance.....	p 10
6 - Scrapping	p 10
7 - CE and UKCA labels	p 10

Rev.

R - 04/2024 : Nouvelle étiquette UKCA / New UKCA label

This instructions manual includes the mounting, utilization and the maintenance instructions.

We recommend to read this carefully and to place it at the user's disposal.

The english version of our general conditions of sales and mounting instructions are not binding, and are only given for information purposes.

Only the french version can be used in case of legal action.

1 - FEATURES

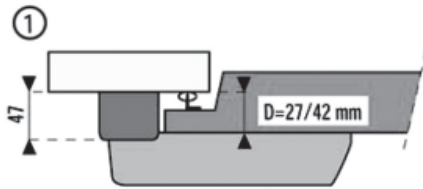
This fastener is designated to hinged inset or overlapping doors.

It is made of an external part (with or without lock) and internal part.

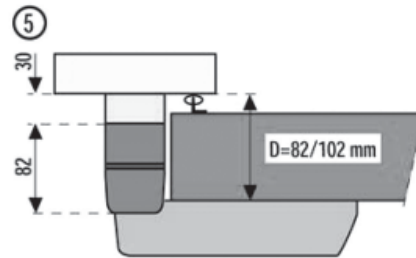
- 920 : standard version
- 921 : locking version
- 920HP : High protection version
- 921HP : High protection locking version
- Offset : 27 to 157 mm
- Adjustable strike for 3 dimensions
- Invisible and inaccessible pins and fixations
- Interchangeable for right or left hand doors
- Operating temperature : - 30°C to + 60°C
- Lever, external housing and strike made of composite
- Mechanism: zinc-passivated steel (standard version) / Stainless steel and anodized aluminium (HP version)

TYPE OF STRIKE

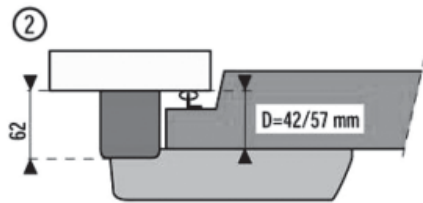
6407203 or 6407200



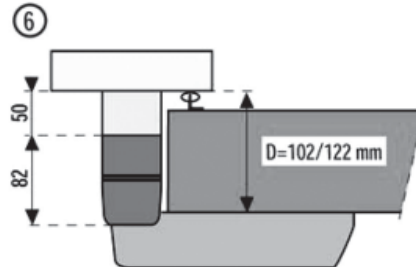
6671903 or 6671900



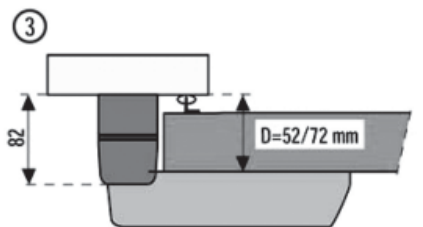
6407803 or 6407800



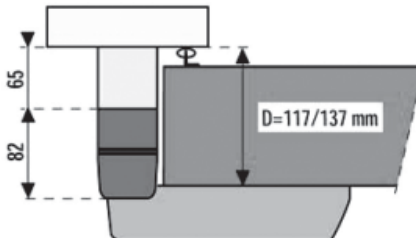
6672203 or 6672200



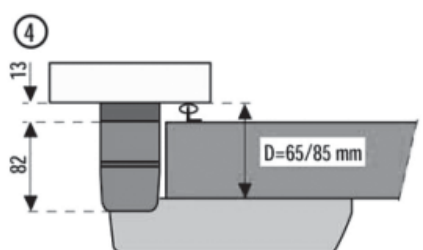
6407703 or 6407700



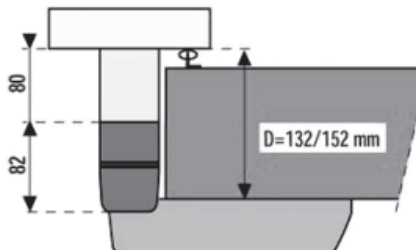
6672303 or 6672300



6671803 or 6671800



6672403 or 6672400



2 - TRANSPORT

This equipment must be protected from bad weather during transport .
The original packing is designed for all types of transportation means.
The liability of FERMOD ceases : :

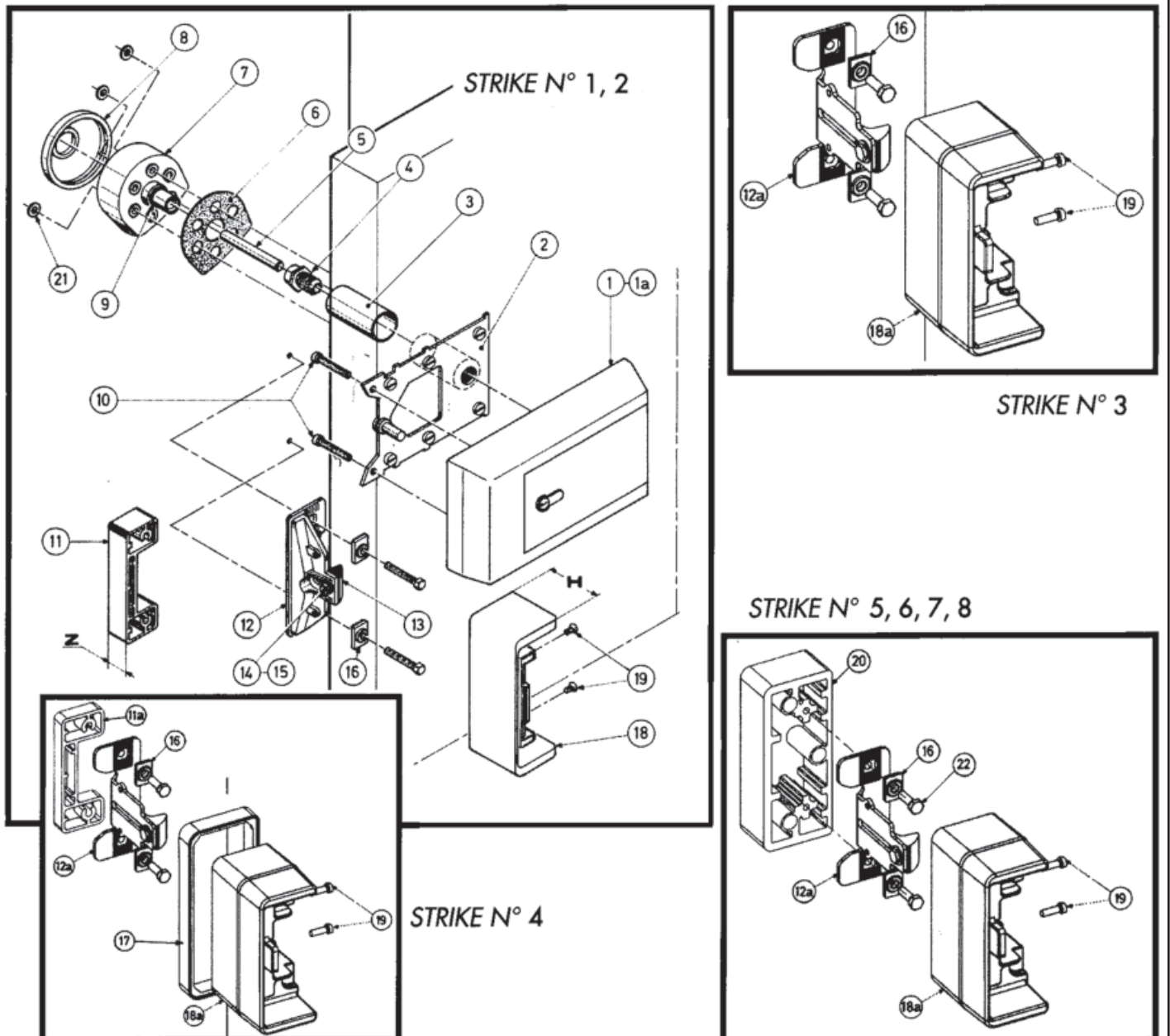
- as soon as the customer or installer opens the package or a part of the packaging.
- as soon as the package has suffered a considerable impact in such a way that it's damaged.

3 - STOCKAGE / STORAGE

This equipment must be protected from the bad weather during storage.

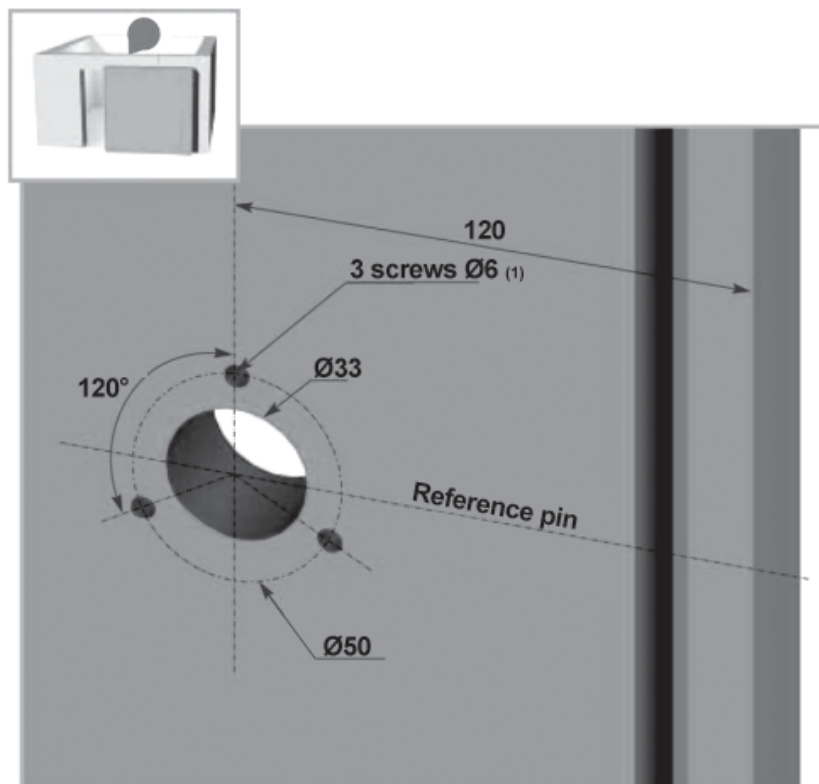
4 - MONTAGE / MOUNTING

Please respect the regulations in force in the country of installation.
Please follow all the mounting instructions.



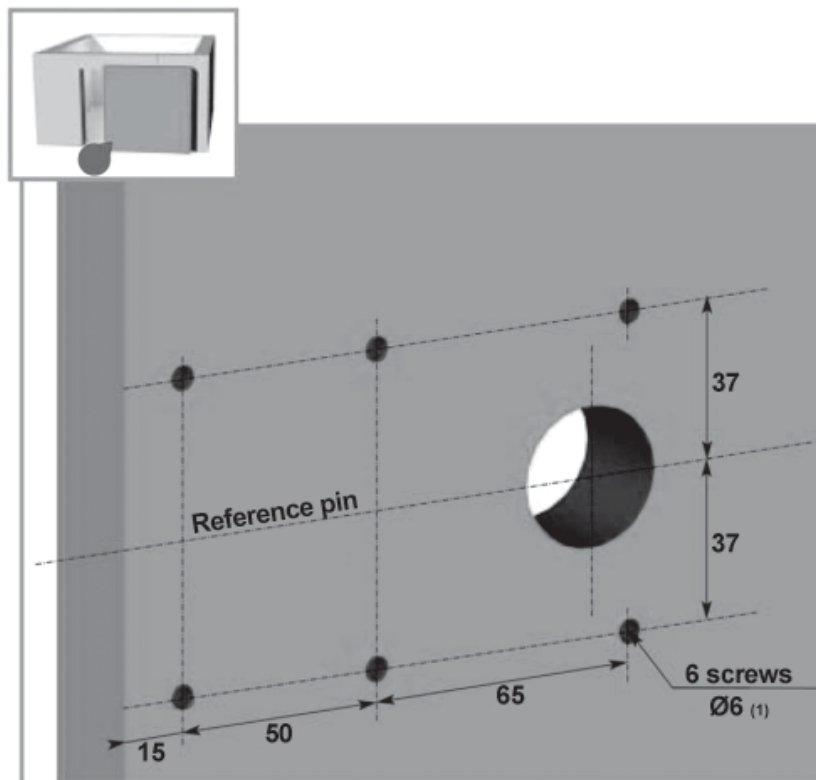
N°SAV	Qty	Designation	N°SAV	Qty	Designation
1	1	External housing without lock (920)	14	1	Screw/Strike
1a	1	External housing with lock (921)	15	1	Washer
2	1	External base plate	16	2	Plate
3	1	PVC tube	17	1	Strike holder
4	1	Bushing	18	1	Strike holder (H = 47/62 mm)
5	1	Push piece			H = 47 mm
6	1	Internal plate shim			H = 62 mm
7	1	Internal handle	18a	1	Strike holder (H > 82 mm)
8	1	Cap	19	2	Fixing screw/strike holder
9	1	Gasket	20	1	Strike holder (Z = 30/80 mm)
10	2	Fixing screw/housing			Z = 30 mm
11	1	Aluminium Shim (Z = 15 mm)			Z = 50 mm
11a	1	Aluminium Shim (Z = 13 mm)			Z = 65 mm
12	1	Strike unit			Z = 80 mm
12a	1	Strike unit	21	3	Washer internal handle
13	1	Adjusting strike	22	2	Screw H M 6 X 16

DRILLING OF THE INTERNAL DOOR

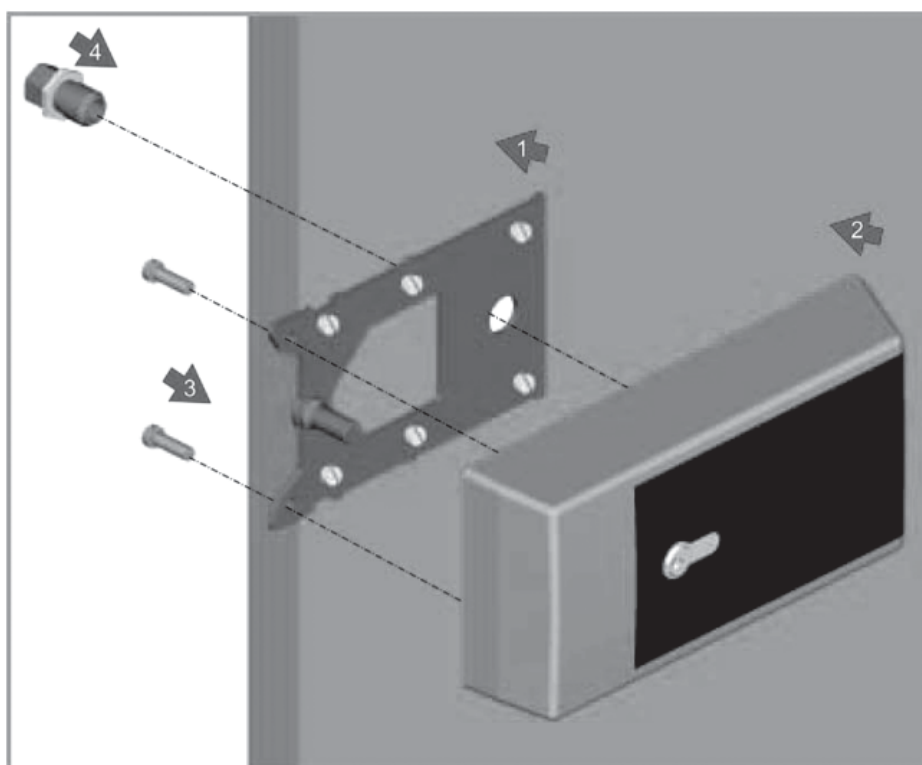


(1) Screws not supplied

DRILLING OF THE EXTERNAL DOOR

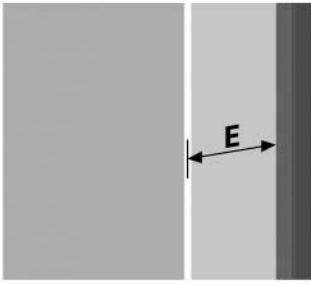


MOUNTING EXTERNAL HOUSING

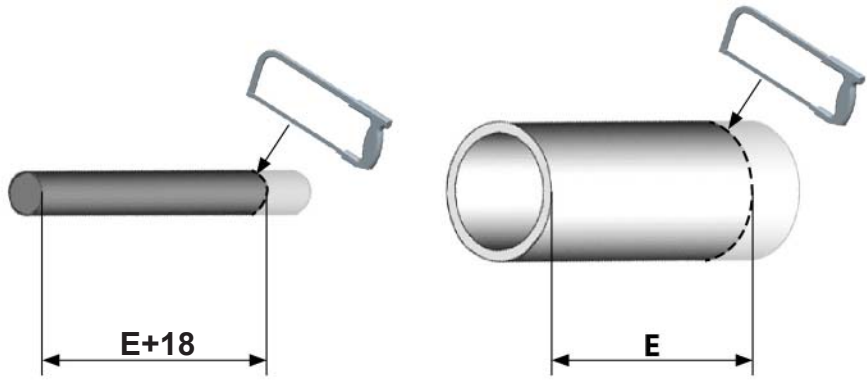


Tighten screws 
with a couple
of forces of 8 N.m

CUT ACCORDING TO LENGTH



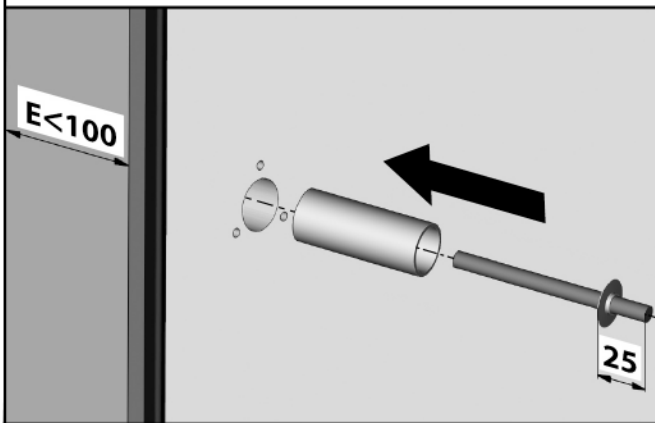
E = Thickness of the door
(Take in consideration the eventual changes of this dimension).



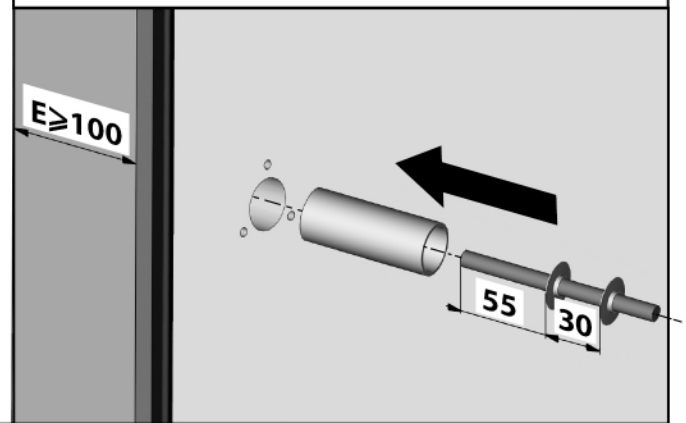
Make a clean cut.

MOUNTING INTERNAL HANDLE

Door thickness < 100mm



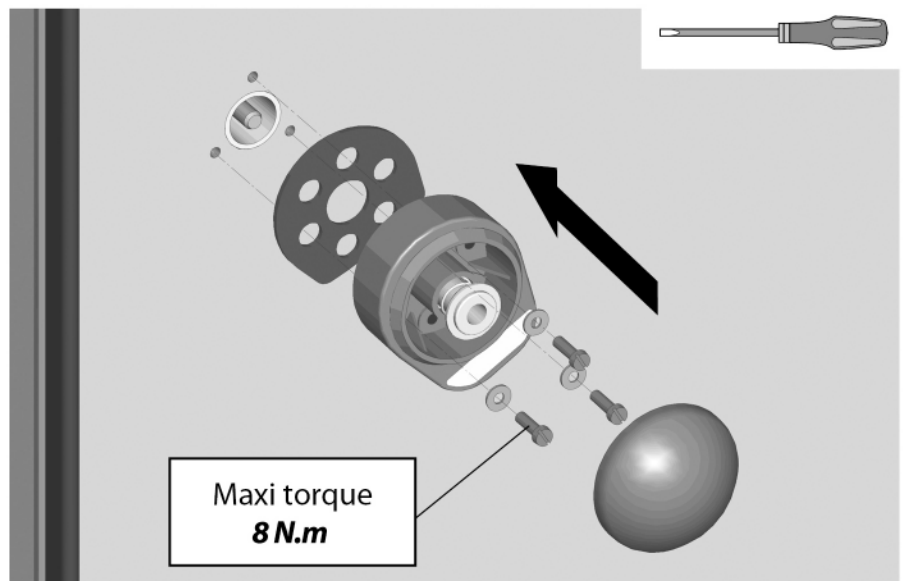
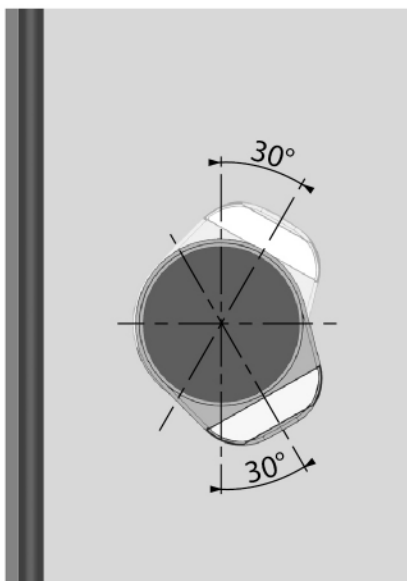
Door thickness ≥ 100 mm



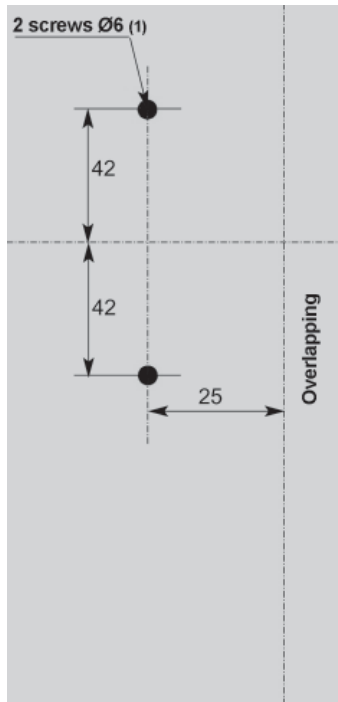
Mounting gaskets required for negative temperature cold room



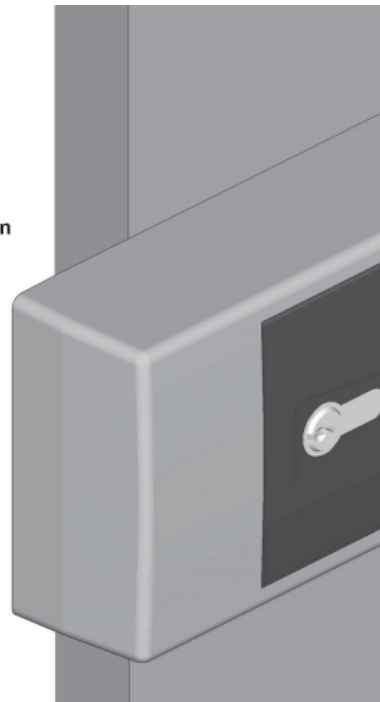
For minus temperatures, it is recommended to fill the tube with non-freezing and corrosion-proof grease.



DRILLING FRAME FOR STRIKE N° 1, 3

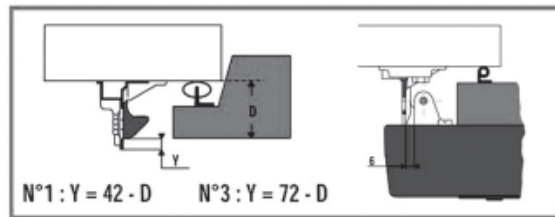


Reference pin

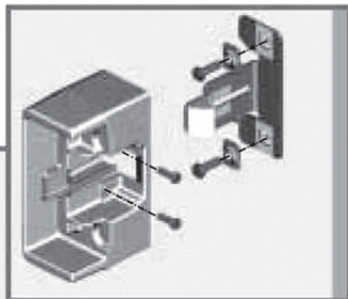


(1) Screws not supplied

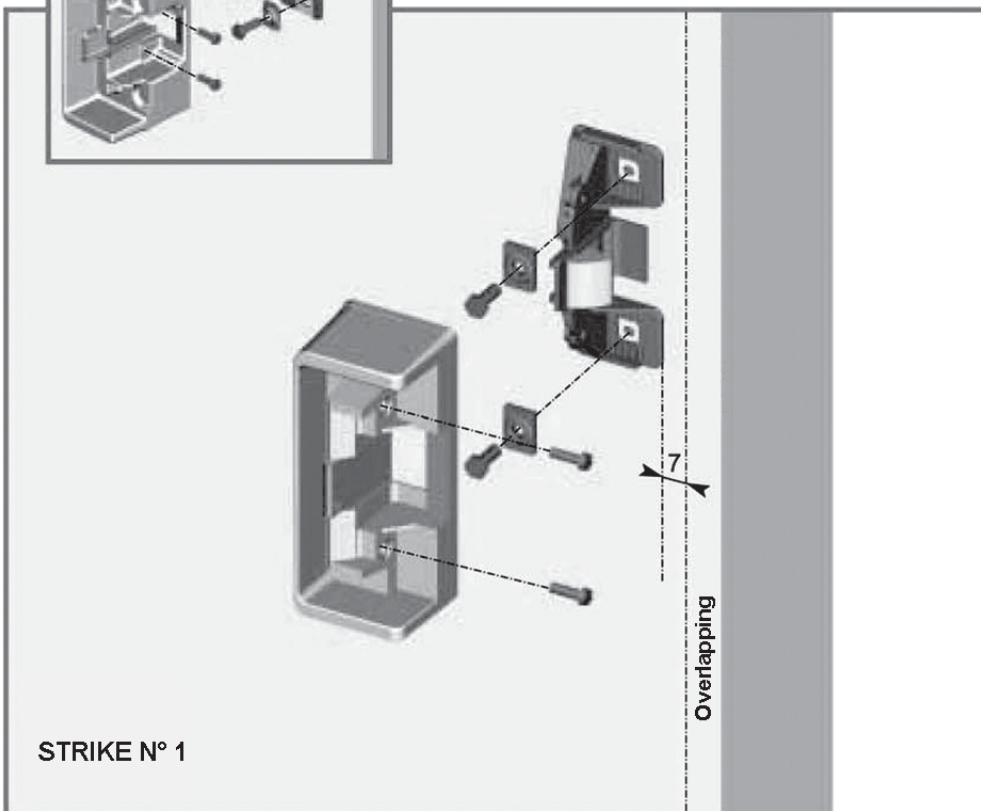
MOUNTING STRIKE N° 1, 3



ADJUSTMENT



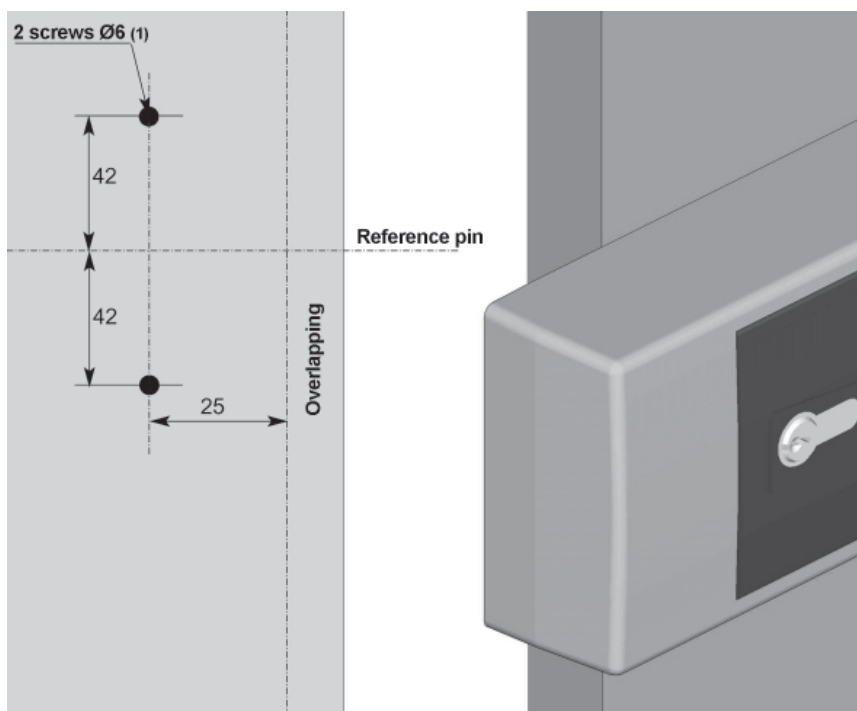
STRIKE N° 3



STRIKE N° 1

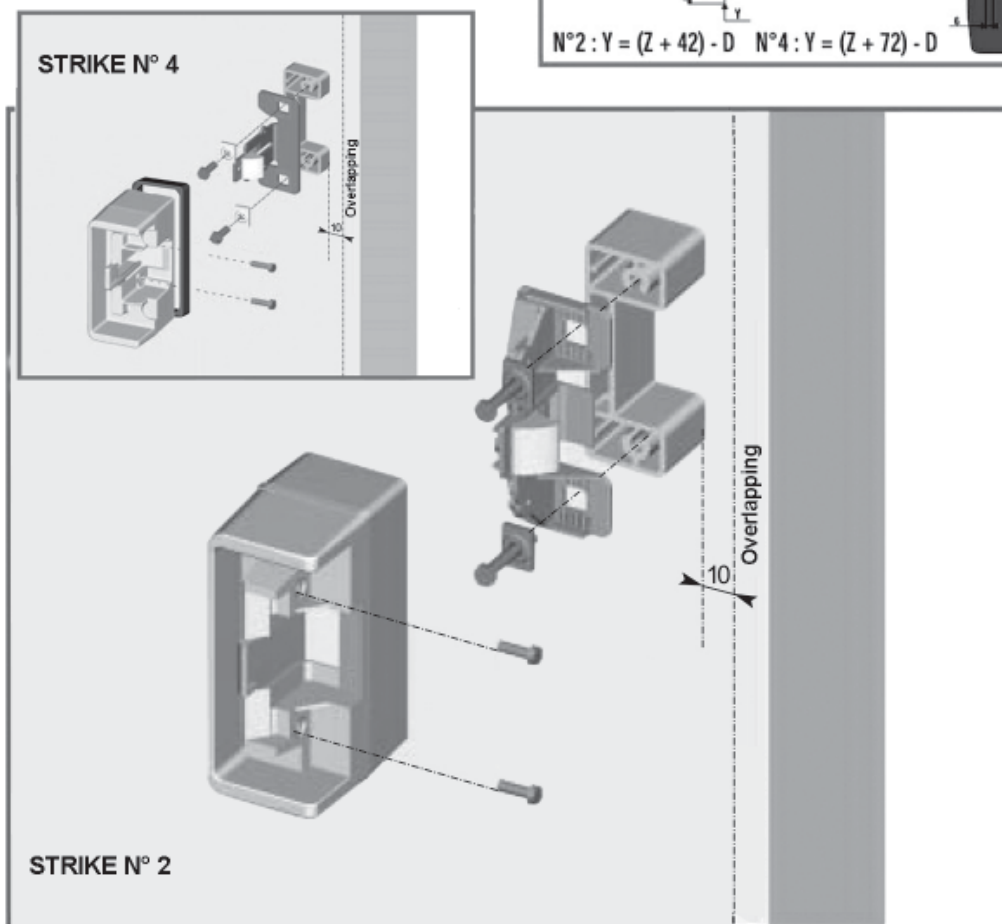
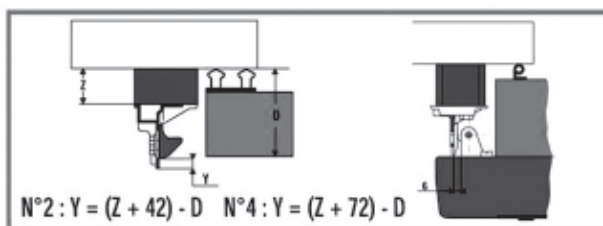


DRILLING FRAME FOR STRIKE N° 2, 4

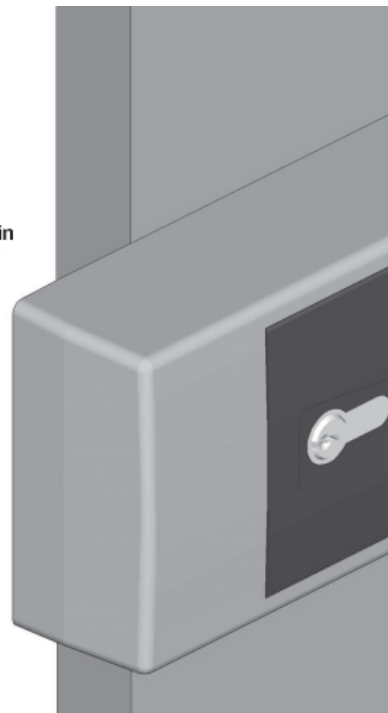
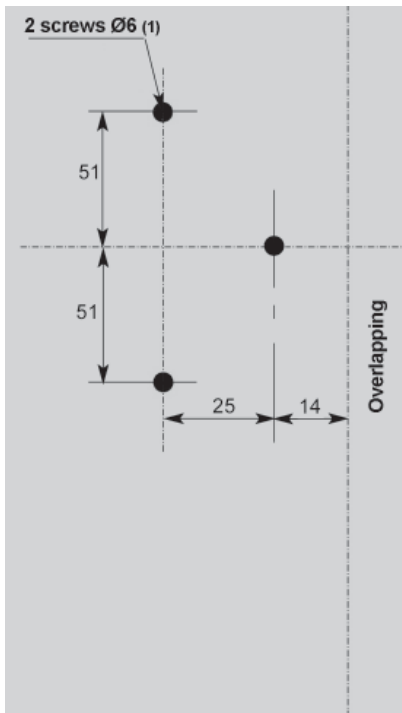


(1) Screws not supplied

MOUNTING STRIKE N° 2, 4

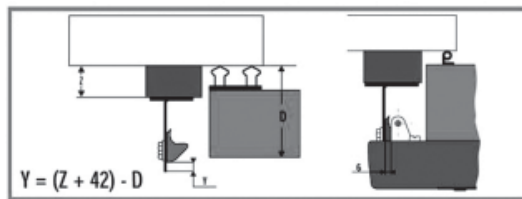


DRILLING FRAME FOR STRIKE N° 5 TO 8

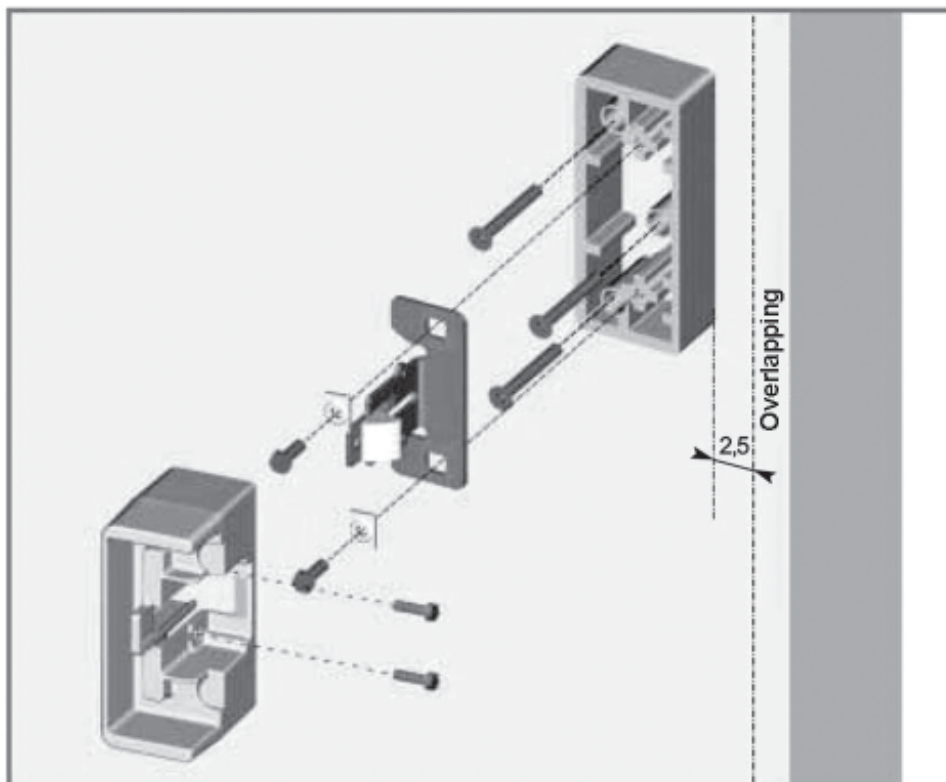


(1) Screws not supplied

MOUNTING STRIKE N° 5 TO 8



ADJUSTMENT



5 - MAINTENANCE

Fastener 920-921 doesn't require any special maintenance.

It's necessary to regularly check the proper functioning of the internal handle for emergency opening.

6 - SCRAPPING

Take all the European and national regulation texts into consideration, which deal with scrap and packaging waste.

Examples: **Directive relating to scrapping, 2008/98/CE.**

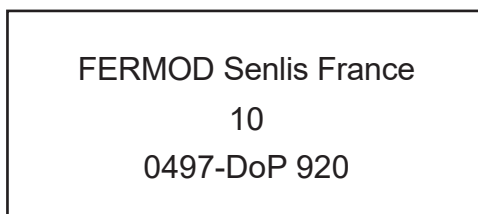
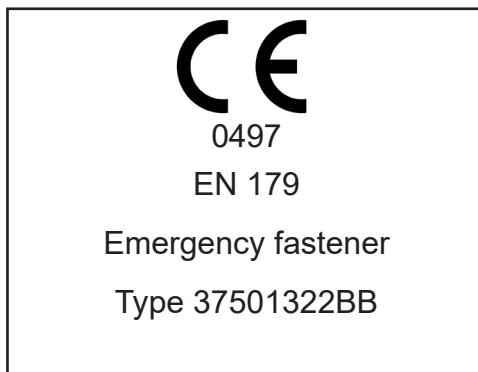
Scrapping of the following items required dismantling and waste to a special center .

These materials give off harmful vapors during combustion:

Reference	Composition
Cover strike	ABS + PC
Shim strike	ABS + PC

7 - CE and UKCA LABELS

CE LABEL



Xavier HAAS
CEO

UKCA LABEL



Xavier HAAS
CEO



FERMOD®

INNOVATION since 1934

Declaration of performance N° 920

1 – Unique identification code of the product-type: **920 / 921 / 920HP / 921HP**

2 – Intended use or uses of the construction product, in accordance with the applicable harmonized technical specification, as foreseen by the manufacturer: **For doors on escape routes**

3 – Name, registered trade name or registered trade mark of the manufacturer as required under Article 11(5): **FERMOD S.A.**

4 – System or systems of assessment and verification of constancy of performance of the construction product as set out in CPR, Annex V: **System 1**

5 – Harmonised standard: **EN 179**

- **The Certificate of Conformity acc. to EN 179 has been issued by notified bodies**

6 – Declared performances:

Essential characteristics	Performances	Harmonised technical specification
Category of use	Grade 3	Frequency high for use by the public
Durability	Grade 7	200.000 cycles
Mass of the door	Grade 5	<100 kg
Ability to fire	Grade 0	NPD
Safety of persons	Grade 1	The highest rank for the safety of persons
Resistance to corrosion	Grade 3	96 h / Validated 200 h
Safety of goods	Grade 2	1000 N
Projection	Grade 2	Up to 100 mm
Type of manoeuvre	Type B	Thrust plate
Application domain	Category B	Exit door has 1 leaf

7 – The performance of the product identified above is in conformity with the set of declared performances.

This declaration of performance is issued, in accordance with regulation (EU) No 305/2011 and (UK) the Construction Products (Amendment etc.) (EU Exit) Regulations 2020, under the sole responsibility of the manufacturer identified above.

Signed for and behalf of the manufacturer by:

M. Xavier HAAS, CEO
Senlis, le 10/04/24



FERMOD®

INNOVATION since 1934



3 avenue Eugène Gazeau - 60300 SENLIS - FRANCE
TEL. : +33 (0)3 44 53 12 86 - FAX : +33 (0)3 44 53 62 03
www.fermod.com - MAIL : contact@fermod.com

Siège Social : Senlis (Oise) - Société Anonyme au Capital de 1 004 400 €
RCS Compiègne B 301 468 211 - Siret 301 468 211 00018 - APE 2572 Z

DoP 920 GB-B

DISTRIBUTOR



FERMOD®



INNOVATION *since 1934*

3 avenue Eugène Gazeau - 60300 SENLIS - FRANCE
TEL. : +33 (0)3 44 53 12 86 - FAX : +33 (0)3 44 53 62 03
www.fermod.com - MAIL : contact@fermod.com
Siège Social : Senlis (Oise) - Société Anonyme au Capital de 1 004 400 €
RCS Compiègne B 301 468 211 - Siret 301 468 211 00018 - APE 2572 Z